

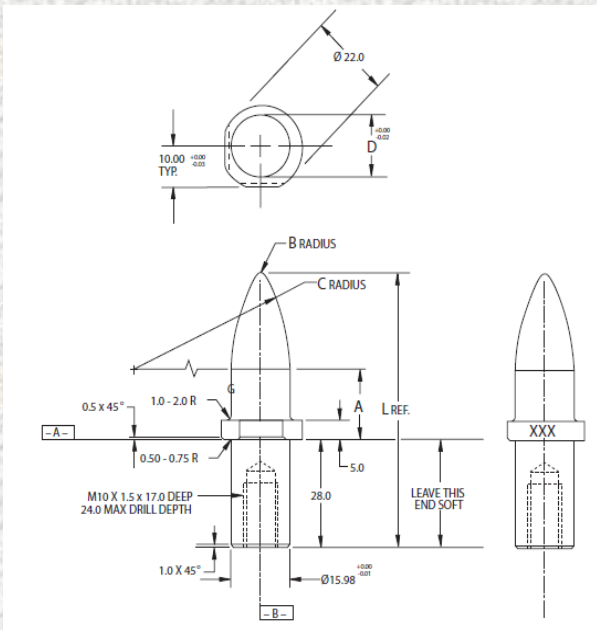
LOCATING PIN



LOCATING PIN

6 mm THRU 19 mm DIAMETRO

(FULL METRIC)



6 mm Round Hole
B Rad = 1.0
C Rad = 18.0
D = 5.85

CÓDIGO	A	L	WT. kg
APS061M	15.0	51.8	0.05
APS062M	20.0	56.8	0.05
APS063M	30.0	66.8	0.05
APS064M	40.0	76.8	0.05
APS065M	50.0	86.8	0.06
APS066M	60.0	96.8	0.06

8 mm Round Hole
B Rad = 1.0
C Rad = 24.0
D = 7.85

CÓDIGO	A	L	WT. kg
APS081M	15.0	55.1	0.05
APS082M	20.0	60.1	0.05
APS083M	30.0	70.1	0.06
APS084M	40.0	80.1	0.06
APS085M	50.0	90.1	0.06
APS086M	60.0	100.1	0.07
APS087M	70.0	110.1	0.07
APS088M	80.0	120.1	0.08

10 mm Round Hole
B Rad = 2.0
C Rad = 30.0
D = 9.85

CÓDIGO	A	L	WT. kg
APS101M	15.0	57.4	0.06
APS102M	20.0	62.4	0.06
APS103M	30.0	72.4	0.07
APS104M	40.0	82.4	0.07
APS105M	50.0	92.4	0.08
APS106M	60.0	102.4	0.08
APS107M	70.0	112.4	0.09
APS108M	80.0	122.4	0.10
APS109M	90.0	132.4	0.10
APS100M	100.0	142.4	0.11

12 mm Round Hole
B Rad = 2.0
C Rad = 36.0
D = 11.85

CÓDIGO	A	L	WT. kg
APS121M	15.0	60.8	0.07
APS122M	20.0	65.8	0.07
APS123M	30.0	75.8	0.08
APS124M	40.0	85.8	0.09
APS125M	50.0	95.8	0.10
APS126M	60.0	105.8	0.11
APS127M	70.0	115.8	0.12
APS128M	80.0	125.8	0.13
APS129M	90.0	135.8	0.13
APS120M	100.0	145.8	0.14

13 mm Round Hole
B Rad = 2.0
C Rad = 39.0
D = 12.85

CÓDIGO	A	L	WT. kg
APS131M	15.0	62.4	0.07
APS132M	20.0	67.4	0.07
APS133M	30.0	77.4	0.08
APS134M	40.0	87.4	0.09
APS135M	50.0	97.4	0.10
APS136M	60.0	107.4	0.11
APS137M	70.0	117.4	0.12
APS138M	80.0	127.4	0.13
APS139M	90.0	137.4	0.14
APS130M	100.0	147.4	0.15

16 mm Round Hole
B Rad = 2.0
C Rad = 48.0
D = 15.85

CÓDIGO	A	L	WT. kg
APS161M	15.0	67.5	0.09
APS162M	20.0	72.5	0.09
APS163M	30.0	82.5	0.11
APS164M	40.0	92.5	0.13
APS165M	50.0	102.5	0.14
APS166M	60.0	112.5	0.16
APS167M	70.0	122.5	0.17
APS168M	80.0	132.5	0.19
APS169M	90.0	142.5	0.20
APS160M	100.0	152.5	0.22

19 mm Round Hole
B Rad = 2.0
C Rad = 38.0
D = 18.85

CÓDIGO	A	L	WT. kg
APS191M	15.0	66.8	0.10
APS192M	20.0	71.8	0.12
APS193M	30.0	81.8	0.14
APS194M	40.0	91.8	0.16
APS195M	50.0	101.8	0.18
APS196M	60.0	111.8	0.20
APS197M	70.0	121.8	0.22
APS198M	80.0	131.8	0.24
APS199M	90.0	141.8	0.27
APS190M	100.0	151.8	0.29

