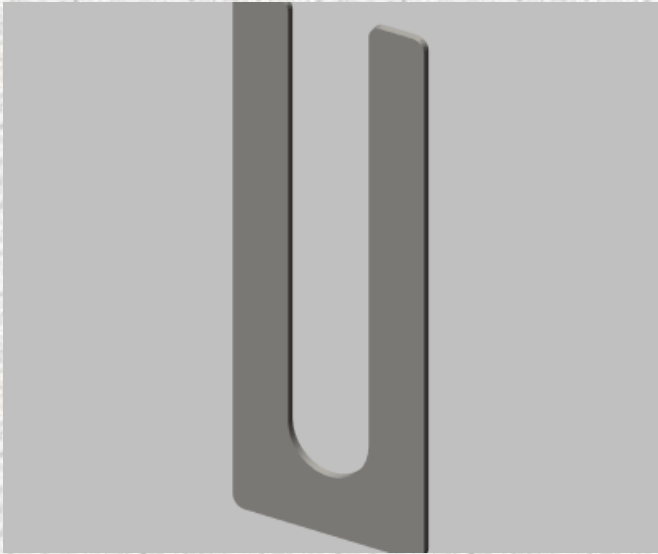
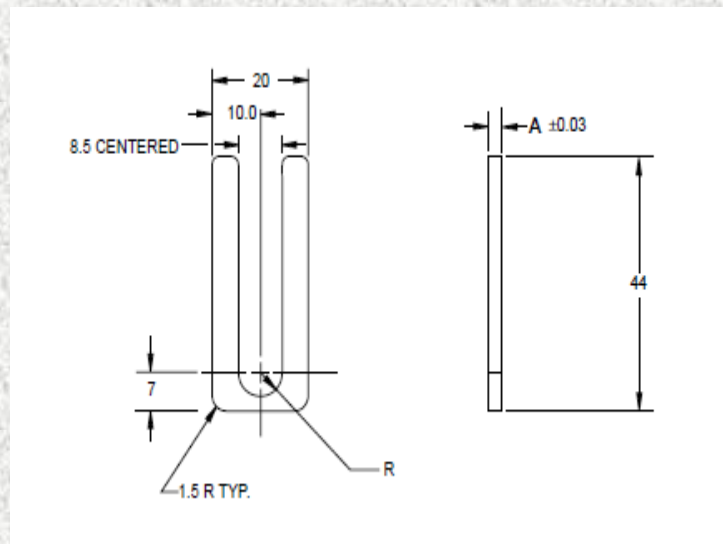


METRIC FITTING SHIMS 20 mm SERIES 1-SLOT



CODE	A	SURFACE
ASH102N	0.25	NONE
ASH105N	0.50	YELLOW DICHROMATE.
ASH110N	1.00	BLACK OXIDE
ASH120N	2.00	NONE



SHIM PACK ASH1N	
QTY.	CODE
2	ASH102N
3	ASH105N
1	ASH110N
1	ASH120N

METRIC DIMENSIONAL TOLERANCES UNLESS OTHERWISE SPECIFIED

0 PLACE+/-0.5 1 PLACE+/-0.3 MATERIAL: SAE 1010

