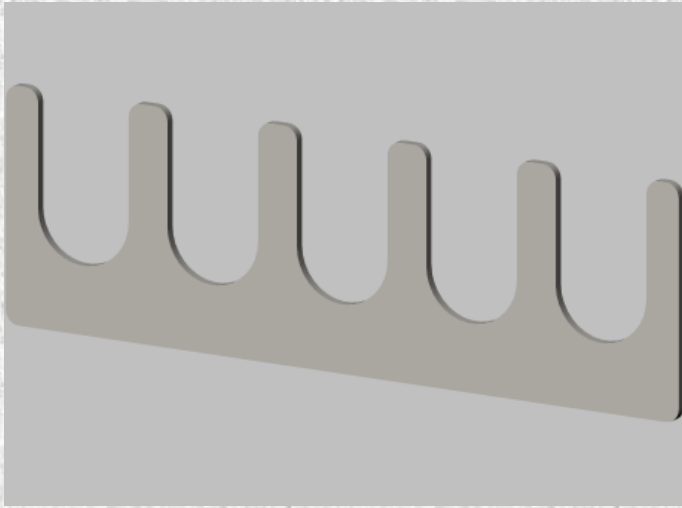
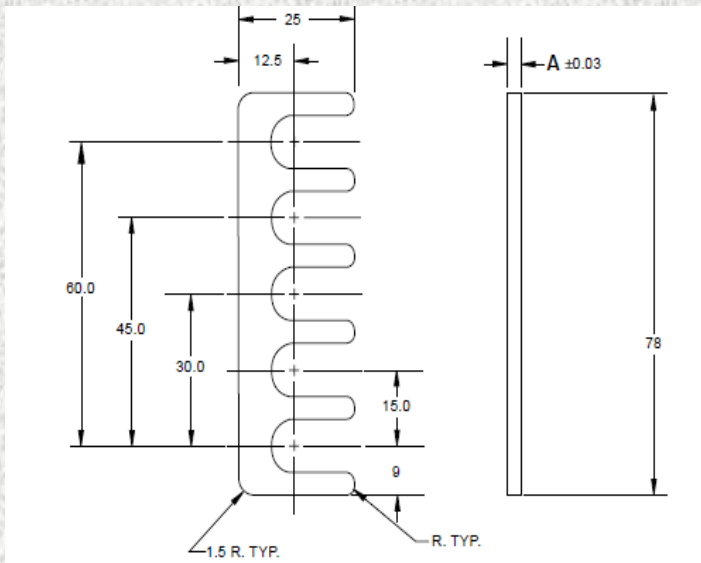


METRIC FITTING SHIMS 5-SLOT



CODE	A	SURFACE
ASH502	0.25	NONE
ASH505	0.50	YELLOW ZINC DICHROMATE.
ASH510	1.00	BLACK OXIDE
ASH520	2.00	NONE



SHIM PACK ASH5	
QTY.	CODE
2	ASH502
3	ASH505
1	ASH510
1	ASH520

METRIC DIMENSIONAL TOLERANCES UNLESS OTHERWISE SPECIFIED

0 PLACE+0.5 1 PLACE+0.3

MATERIAL: SAE 1010

